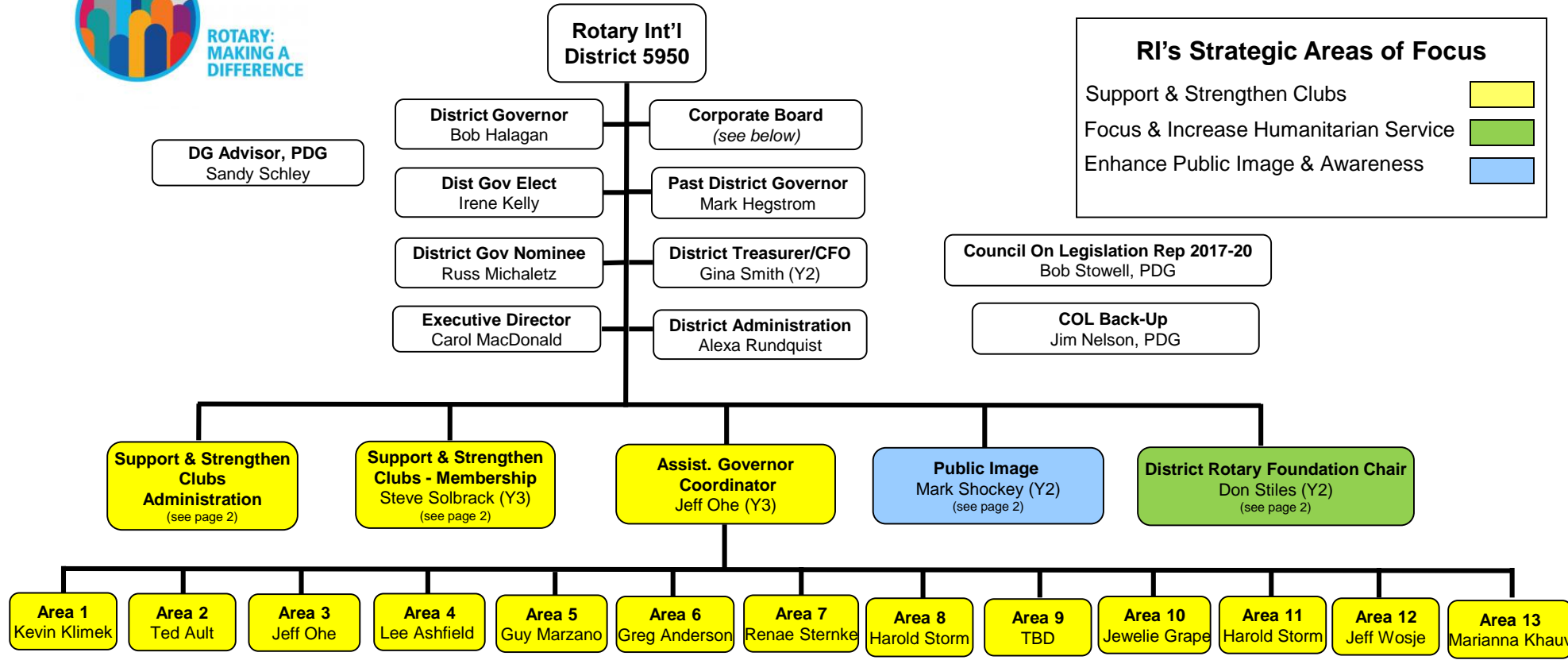




# 2017-18 District 5950 Leadership



**District 5950 Corporate Board**

Bob Halagan, DG | Mark Hegstrom, PDG | Mary Ann Nelson, Mpls #9, Lg Clubs | Gina Smith (CFO)  
 Irene Kelly, DGE | Tim Murphy, PDG | Dan Carlson, Monticello, Med Clubs | Jennifer Bennerotte (Secretary)  
 Russ Michaletz\*, DGN | Jim Nelson, PDG | Melanie Deluca, Orono, Sm Clubs | Mike Kallas (*Legal -non voting*)  
 Carol MacDonald (*Exec Director – non voting*)

**District 5950 Contact info**

Carol MacDonald, 5950 Executive Director [carol@rotary5950.org](mailto:carol@rotary5950.org)  
 Alexa Rundquist, District Administration [alexa@rotary5950.org](mailto:alexa@rotary5950.org)  
 Office phone: (763) 553-1604

*District 5950 Representatives:*

**NorthStar Youth Exchange**

**Board Members**

Bob Halagan, DG  
 Irene Kelly, DGE  
 Russ Michaletz\*, DGN  
 Cathy Smith ???  
 Tom Gump  
 Patrick Joyce

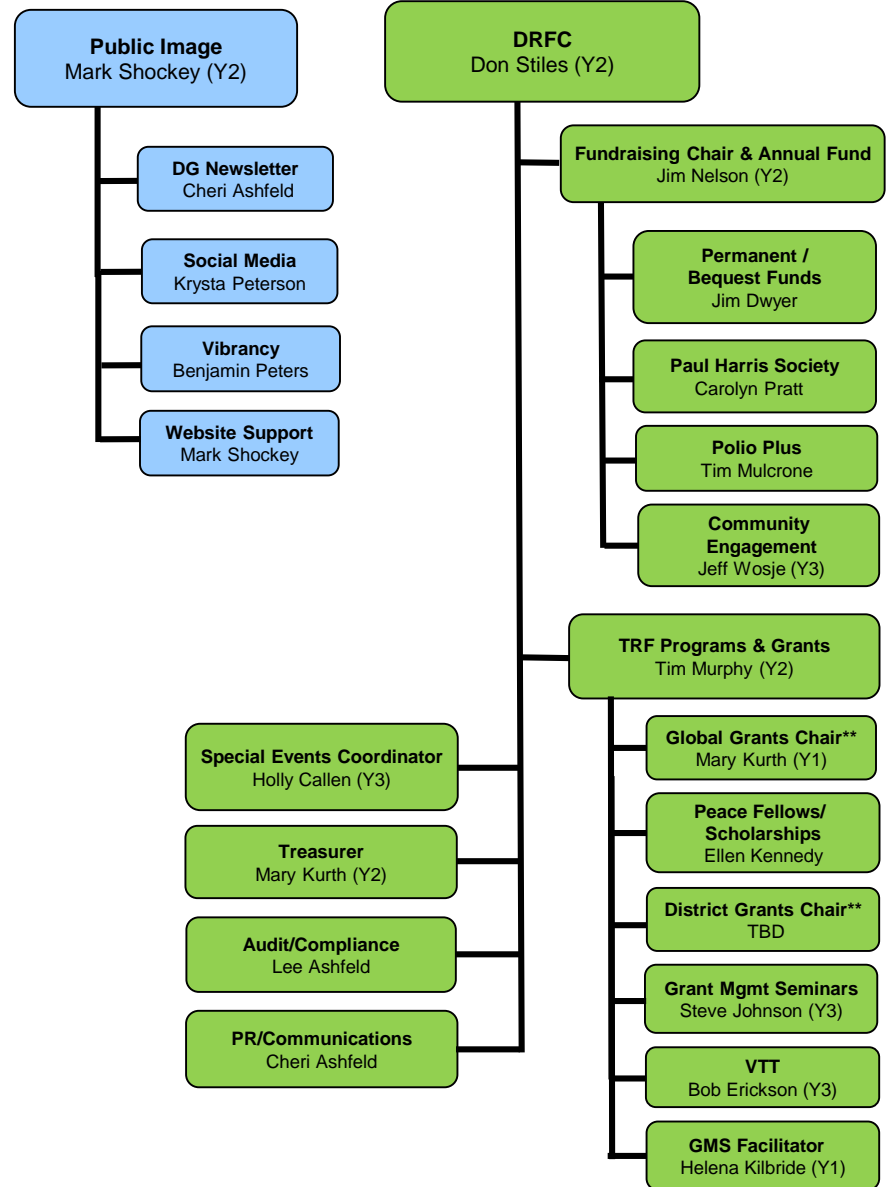
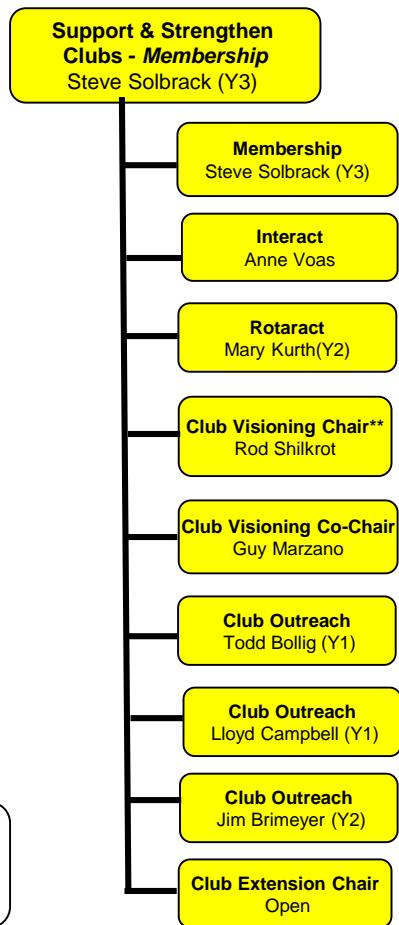
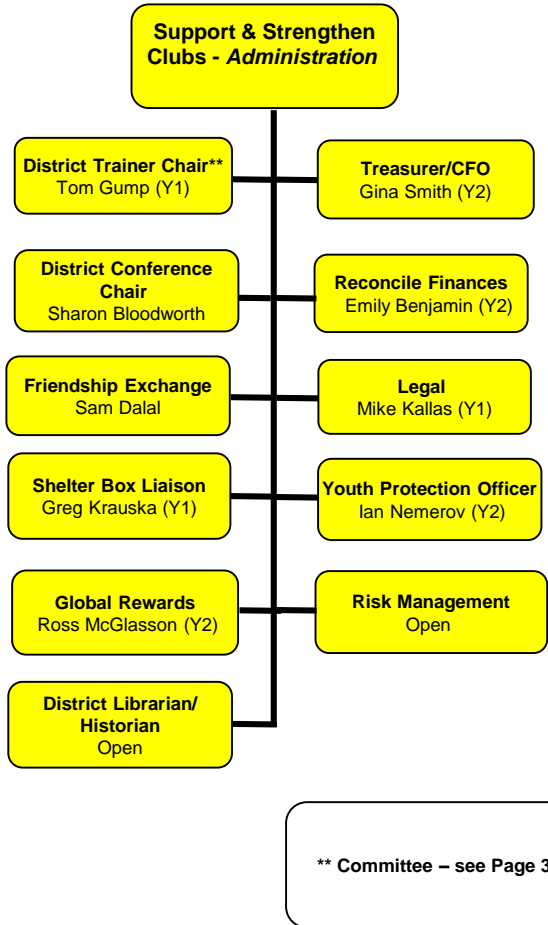


# District Leadership FY2017-18

## Page 2

**RI's Strategic Areas of Focus**

- Support & Strengthen Clubs
- Focus & Increase Humanitarian Service
- Enhance Public Image & Awareness





# District Leadership FY2017-18

## Page 3

**RI's Strategic Areas of Focus**

- Support & Strengthen Clubs
- Focus & Increase Humanitarian Service
- Enhance Public Image & Awareness

**District Trainer Chair**  
Tom Gump (Y1)

**Leadership Seminar Chair**

**NC PETS Chair**  
Ryan Murphy

**District Assembly Chair**  
Maria Bavender

**One Rotary Summit Chair**  
Jodi Kern

**Mid-Term Assembly Chair**  
Terry Moore

**Budgets**  
Carol MacDonald

**Logistics**

**Registration**  
Alexa Rundquist

**Marketing/PR**

**Technology**  
Bill Gaddis

**Club Visioning Chair**  
Rod Shilkrot

**Club Visioning Team & Past Chair**  
Gayle Noakes

**Club Visioning Vice-Chair**  
Guy Marzano

**Club Visioning Team**  
Irene Kelly

**Club Visioning Team**  
Kurt Nelson

**Club Visioning Team**  
Marlene Dietrich

**Club Visioning Team**  
Jean Fox

**Club Visioning Team**  
Helena Kilbride

**Club Visioning Team**  
Rita Webster

**Club Visioning Team**  
Russ Michaletz

**Global Grants Chair**  
Mary Kurth (Y1)

**Global Grant Committee**  
Jim Benshoof

**Global Grant Committee**  
Sharon Bloodworth

**Global Grant Committee**  
Jim Dow

**Global Grant Committee**  
Drew Hultgren

**Global Grant Committee**  
Mahmood Zaidi

**Global Grant Committee**  
Nancy Davis

**Global Grant Committee**  
Ellen Kennedy

**Global Grant Committee**  
Steve Johnson

**Global Grant Committee**  
Shawn Reilly

**Global Grant Committee**  
Paula Schwartz

**Global Grant Committee**  
Fred Semmer

**Global Grant Committee**  
Tom Moore

**District Grants Chair**  
Carol Cline-Heddblom

**District Gran Committee**  
Lloyd Campbell

**District Grant Committee**  
Floyd Ingersoll

**District Grant Committee**  
Marianna Khauv

**District Grant Committee**  
Cindy Lennie

**District Grant Committee**  
Carol MacDonald

**District Grant Committee**  
Carol Parrish

**District Grant Committee**  
Fred Semmer

**District Grant Committee**  
Jean Westberg